

A.K. Waugh Limited

Process Heating Engineers since 1940

Outflow Heater Instruction Manual



power generation

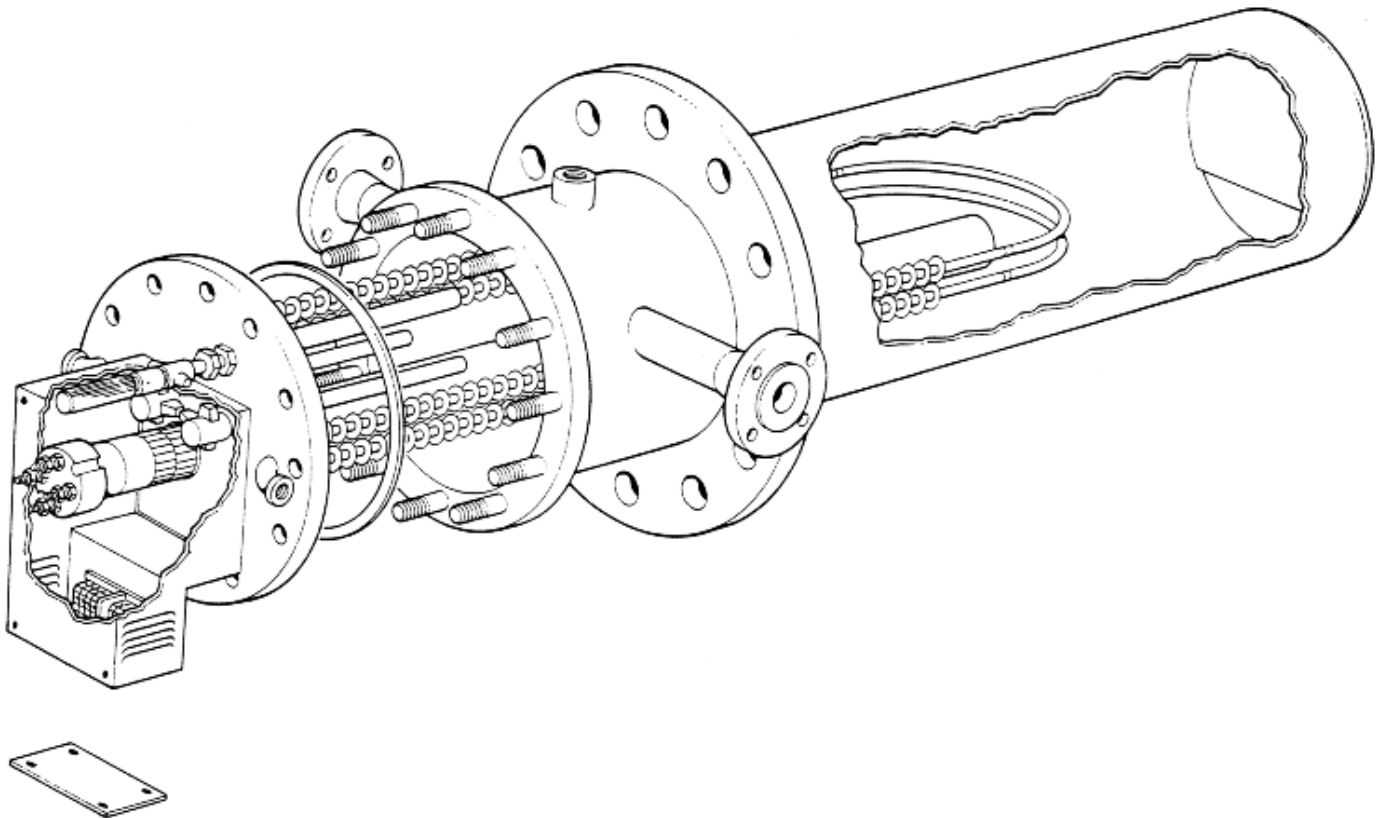
aggregate coating

whisky distilling

water treatment

space heating

For All Industrial Process Heating Systems



Steam / Electric Outflow Heater for Fuel Oils, Water, Chemicals etc.

Find us on the Internet
At

www.processheaters.co.uk

14 Loanbank Quadrant, Govan, Glasgow G51 3HZ Scotland
tel : +44 141 440 5775 fax : +44 141 440 5702 e-mail : sales@processheaters.co.uk

Contents

1.0	<i>Installation</i>
2.0	<i>Electrical Connections</i>
3.0	<i>Standard Accessories</i>
4.0	<i>Methods of Operation of Heater Unit</i>
5.0	<i>Setting of Thermostats</i>
5.1	<i>General Information</i>
5.2	<i>Control Thermostats</i>
5.3	<i>Master Thermostat</i>
6.0	<i>Maintenance</i>
6.1	<i>Periodic</i>
6.2	<i>General Overhaul</i>
7.0	<i>Spares</i>
7.1	<i>Thermostats</i>
7.2	<i>Heating Elements</i>
8.0	<i>Fault Correction</i>
8.1	<i>Poor Control Characteristics</i>
8.2	<i>Required Outlet Temp. Unobtainable</i>
8.3	<i>Constant Fuse Failure</i>
8.4	<i>Master Thermostat Trips Out</i>
9.0	<i>Spares Ordering Information</i>

Installation Instructions

For Electric Outflow Heaters

1.0 Installation

The standard range of Electric Heaters are only suitable for horizontal mounting.

If vertical mounting is required a special version of the heater is mandatory. The oil outlet connection may normally be located on the left or right hand side of the heater body (when viewed from the terminal box) and this connection is screwed BSP or flanged. The oil return connection is similarly screwed BSP or flanged and is normally located on the opposite side of the body tube. A drain connection is provided when requested.

Adequate withdrawal space must be provided for both horizontal and vertically mounted heaters to enable the heating element cores and heating battery removal. The withdrawal distance is given on the drawing. The bolt-to-tank models are supplied with an oil joint.

2.0 Electrical Connections

Conduit bosses or a detachable plate for drilling on site are provided at the base of the terminal box, although adequate space can be found on the circumference of the enclosure for the Plant Engineer to add additional conduit connections if required.

Since all thermostats are of single phase connection and of 15 amp A.C. maximum rating, direct connection to the electrical supply is limited to 3.0 kW single phase 220/250 volts A. C. Current loads in excess of 15 amp A.C. and all three phase and D.C. supplies necessitate the use of a separate contactor for each electrical heating stage.

The coil circuit of the contactor is normally wired in series with the master thermostat / control thermostat, and when specified a hand operated switch. It is important that for multi-stage heaters, the control thermostats are connected to the coil of the corresponding contactor, as shown on the wiring diagram.

3.0 Standard accessories

All accessories, except thermostats, are supplied as loose items. These items normally comprise the oil joint and thermometer. When supplied the thermometer is provided with a 1/2" BSP mild steel pocket so that the instrument can be removed without draining off the liquid in the heater body / tank.

4.0 Methods of Operation of Heater Unit

Heat is transferred to the liquid by means of Removable ceramic formed heating elements (cores). Please note the terminology, since it is easy to confuse "heating elements" with "heaters" (which we think of as the complete item).

The electric elements are fitted into a mild steel or stainless steel sheath (tube).

Control and master (safety cut-out) thermostats are standard features to the heating battery and thus automatic control can be achieved. Unless otherwise requested, in multi-tube units, the minimum number of heating elements to each control thermostat is three. All thermostat switches are the normally closed type ("ON") so that an increase in liquid temperature above the adjustable set temperature of the thermostat, opens the heater circuit ("OFF").

5.0 Setting of Thermostats

5.1 General Information

Thermostats fitted have adjustable scales covering the temperature control range required. Each thermostat is fitted in a pocket which enables replacement without draining down the vessel contents.

It has been experimentally justified that for this type of control system locating the thermostats in this position does reduce the oil outlet temperature differential to more reasonable limits. This differential is usually due to the large ratio between the heat content of the element and normal flow rates through the heater.

If more than one thermostat is fitted, each control thermostat is mounted directly above a heating core which is within that particular control group.

In most cases the control thermostat(s) sense a higher temperature than the actual liquid temperature since it is in the direct path of the hot liquid rising by convection from the heater element sheaths.

5.2 Control Thermostats

If only one control thermostat is fitted to the heater unit it will be necessary, depending on application / design, to set this 10 to 15 degrees centigrade (20 to 30 degrees fahrenheit) above the desired liquid outlet temperature.

This adjustment which offsets the internal liquid temperature as sensed by the probe, varies according to the flow rate and local liquid viscosity.

Where more than one control thermostat is fitted they should be set at different temperatures so that a base load is "ON" much longer than the makeup load which is operating ON/OFF.

If three thermostats are incorporated, the same principal applies to obtain a base load, intermediate load and makeup load.

The above remarks concerning the thermostats are only intended as a guide.

If the flow rate is low and the temperature rise is large, control is more difficult to achieve than when the flow rate is high and the temperature rise is small.

5.3 Master Thermostat

One master thermostat is supplied with each heater to protect the unit from excessive liquid temperature when a fault arises. The thermostat is usually set 25 degrees C (50 degrees F) above the liquid outlet temperature or any other temperature that may be recommended.

When this temperature is exceeded the master thermostat opens all the heater circuits thus closing down the system.

In some cases, the master thermostat is wired in series with the liquid transfer pump electrical system. As a matter of good practice, this should incorporate a system whereby the pump continues to operate for a short period of time (say five minutes) to ensure that the liquid in the heater does not overheat due to residual heat build up within the heater.

It is necessary to manually reset the thermostat since it will not automatically close as the temperature falls.

N.B. It is very important that the mains supply is isolated before attempting to reset the master thermostat since the operator may be unaware of energising the heater elements as soon as the thermostat is reset. Suitable precautions should be taken, such as highlighted signage.

6.0 Maintenance

6.1 Periodic

- a) Ensure that all electrical connections remain clean, tight and dry.
- b) Check for liquid leakage around bolt-to-tank joint and element sheaths.
- c) When a drain connection is provided loosen drain valve and check for sludge build-up. If this is excessive, isolate heater and drain off quantity of sludge.

6.2 General Overhaul

- a) Isolate heater electrically
- b) Remove terminal box lid.
- c) Disconnect incoming cables from terminal block and release conduit connections.
- d) Drain tank / vessel contents.
- e) Remove heater battery from shell unit and inspect sheaths and shell for scale and corrosion. Remove scale by wire brushing.
- f) Examine electrical connections for soundness. There is no need to remove heating elements unless an electrical fault has been reported.
- g) Replace element battery using a new gasket.
- h) Fill tank and re-fit as reverse of (d), (c) and (b).

7.0 Spares

7.1 Thermostats

If a thermostat is faulty in any way it must be returned to our works for inspection. Thermostats can be easily removed by releasing the electrical connections and pinching screws.

Standard thermostats are available from stock, but others may be several weeks delivery.

When a spare thermostat is required give full details of heater unit off of the name plate.

7.2 Heating Elements

Replacement heating cores can be promptly obtained from our works provided the full details of the equipment including voltage and loading are given.

Heating cores are easily removed and fitted by loosening the retaining clip screws.

If cores are initially difficult to remove covered grips can be applied to the terminal pin, but this is rarely necessary unless access is difficult.

IMPORTANT NOTE !

IF CORES ARE SO DIFFICULT TO REMOVE THAT YOU THINK SEVERE DAMAGE MAY RESULT THEN CONTACT US IMMEDIATELY OTHERWISE YOU MAY NEED A COMPLETELY NEW TUBE PLATE ASSEMBLY.

8.0 Fault Correction

8.1 Poor Control Characteristics

Reset thermostat in accordance with section 4.

Control differentials do not usually exceed +5 degrees C and in most applications +3 degrees C is obtained.

8.2 Required Outlet Temperature Unobtainable

This can be due to the failure of one or more heating elements, incorrect thermostat setting or failure of the tank heating system (where fitted). If the fault is identified as being in the heater, please refer to our factory quoting the serial number of the heater. All possible assistance will be given to solve the problem.

8.3. Constant Fuse Failure

Check earth insulation and phase / phase insulation of heater unit.

Resistance readings should be better than 1 ohm. when cold. However, if the heater has been in a damp environment for some time, it is possible that the ceramic heating cores are also damp, thus giving poor insulation valves.

Rectify by drying cores in a warm oven or by carefully applying a low voltage supply to the elements.

8.4. Master Thermostat Trips Out

Before manually resetting the master thermostat carefully check cause of trip.

The cause could be :-

- a) Master thermostat setting is too low and responds to temperature build up when heater is shut down. Set thermostat at least 25 degrees C above storage temperature.
- b) Failure of control thermostat to open circuit (OFF) on rise in liquid temperature.

9.0 Spares Ordering Information

IT IS ESSENTIAL when ordering spares to quote all the details as given on the nameplate comprising:-

SERIAL NUMBER

KILOWATT RATING

VOLTAGE

We would emphasise that spares enquiries for our equipment which do not include the above details will be subject to delay due to our having to search our records for the correct information.

For a speedy response we would appreciate a simple telephone call, at which time we will be able to advise the potential delivery time, cost etc. Further details would normally follow by fax once sufficient time became available.

If you wish to simply replenish your spares holding, a fax or email enquiry will suffice and will be dealt with by return fax or email where possible. Please give the clearest details on your fax / email.