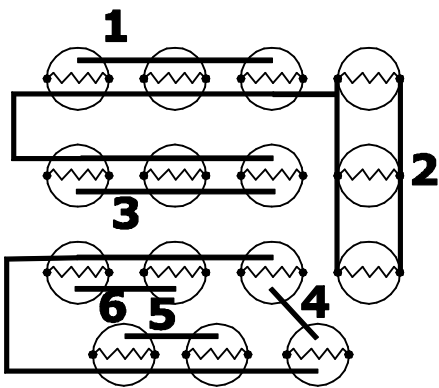
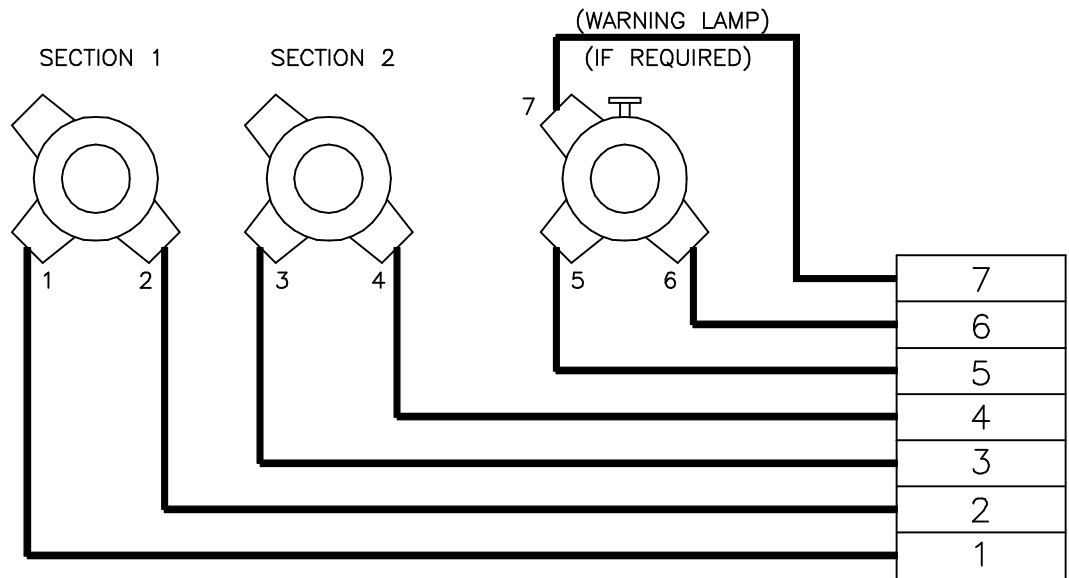


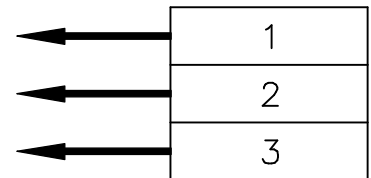
CONTROL THERMOSTATS

SAFETY THERMOSTAT

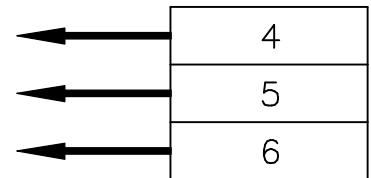


ELEMENT LAYOUT

TO 43 kW
HEATER
SECTION 1
(9 ELEMENTS)



TO 29 kW
HEATER
SECTION 2
(6 ELEMENTS)



KLIPPON TERMINALS

REVISIONS



A.K. WAUGH LIMITED
49 DALSETTER AVENUE, GLASGOW, G15 8TE.

TITLE
GENERAL WIRING DIAGRAM
FOR 2 STAGE HEATER

DRAWN	A. WAUGH
DATE	29/03/06
SCALE	N/A
DRAWING No.	2STAGE-15
REVISION	0