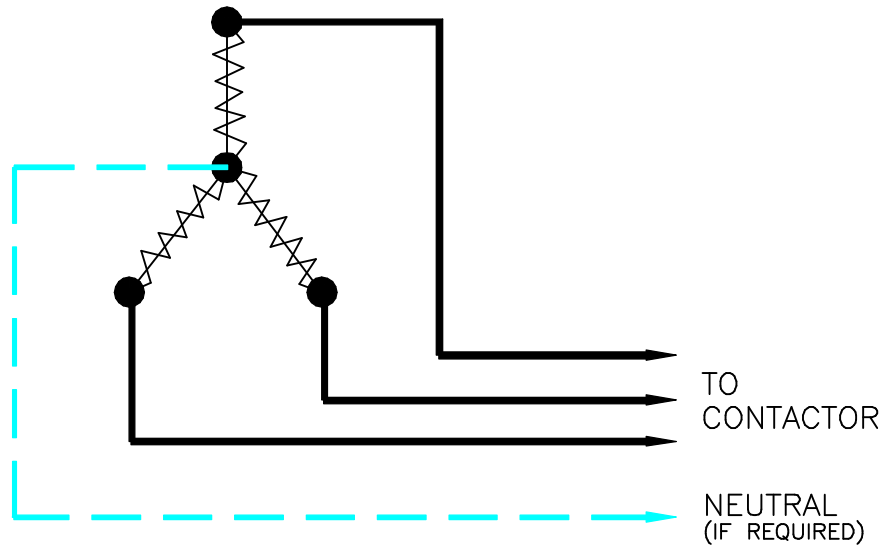
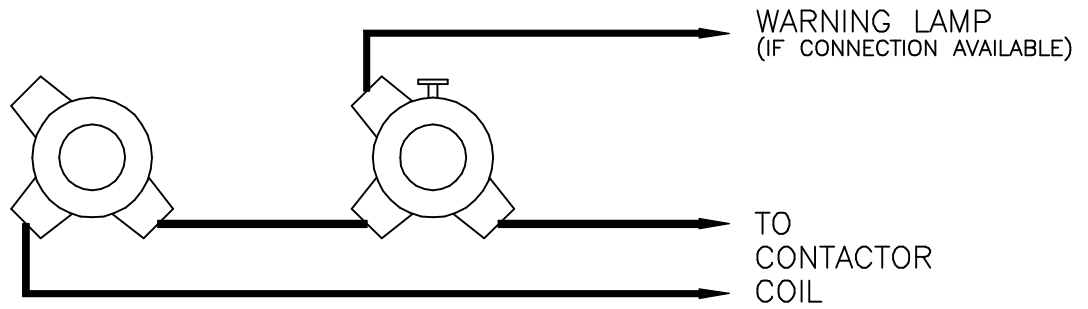
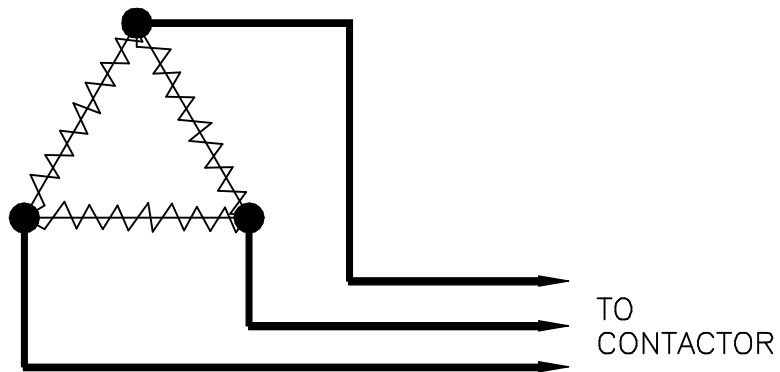


CONTROL THERMOSTAT SAFETY THERMOSTAT



WIRED 3 PHASE 4 WIRE (STAR)

ALTERNATIVE



WIRED 3 PHASE 3 WIRE (DELTA)

REVISIONS



A.K. WAUGH LIMITED
49 DALSETTER AVENUE, GLASGOW, G15 8TE.

| | |
|-------------|----------|
| DRAWN | A.WAUGH |
| DATE | 20/09/06 |
| SCALE | N/A |
| DRAWING No. | THREEPH |
| REVISION | 0 |

TITLE
TYPICAL WIRING DIAGRAM FOR 3 PHASE
HEATERS WIRED 3 WIRE OR 4 WIRE